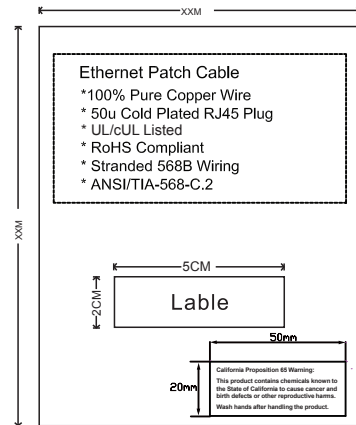


NOTE: CARTON MATERIAL MUST BE A=A

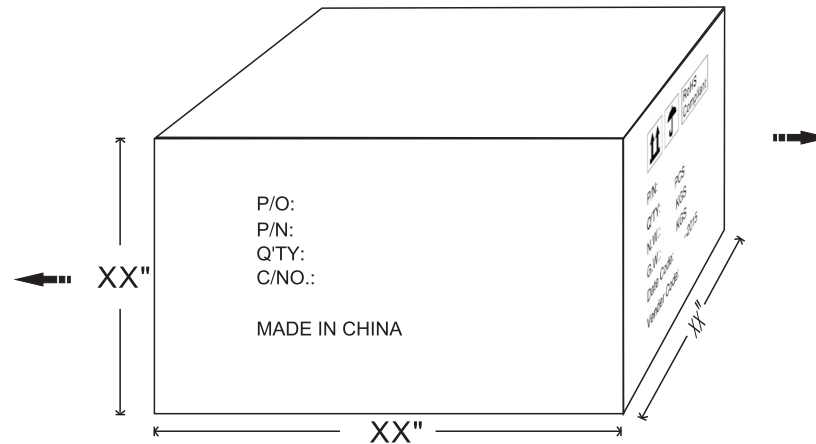
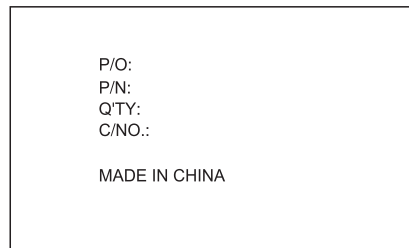
REVISION INFORMATION

| Rev. | Rev. Date | Modified By | Brief Description |
|------|-----------|-------------|-------------------|
| | | | |

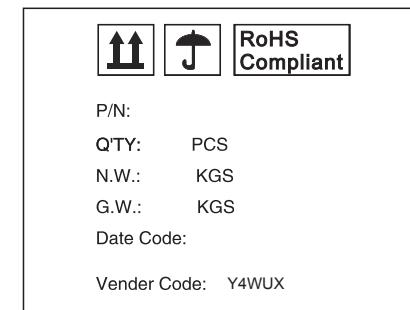


| PE BAG SIZE(INCH) | PART NO. | length/FT | CARION SIZE(INCH) | Q'TY | G.W(LBS) |
|-------------------|----------|-----------|-------------------|------|----------|
| 6.89x7.48 | 100322 | 3 | 15.75x15.75x7.87 | 150 | 18.7 |
| 7.87x9.45 | 100329 | 7 | 15.75x15.75x9.06 | 80 | 25.52 |
| 6.89x9.06 | 100326 | 7 | 15.75x15.75x7.87 | 100 | 23.54 |
| 7.87x9.45 | 100332 | 20 | 16.54x16.54x10.24 | 60 | 35.42 |
| 9.25x10.63 | 100333 | 25 | 15.75x15.75x7.87 | 35 | 25.52 |
| 9.25x11.81 | 100336 | 50 | 15.75x15.75x7.87 | 20 | 28.16 |
| 9.25x11.81 | 100338 | 70 | 15.75x15.75x9.06 | 20 | 38.5 |
| 9.25x11.81 | 100339 | 80 | 15.75x15.75x9.06 | 20 | 42.9 |
| 9.25x14.96 | 100340 | 90 | 16.54x16.54x10.24 | 20 | 49.28 |
| 9.25x14.96 | 100341 | 100 | 16.54x16.54x10.24 | 20 | 54.34 |
| 6.89x7.48 | 100324 | 100 | 15.75x15.75x7.87 | 110 | 19.8 |

Main Mark



Side Mark



| | | |
|----------------|------------------|----------------------------------------|
| DRAWN BY :OP | DATE: 2017.09.21 | DESCRIPTION: C7 SSTP 26AWG PVC Molding |
| CHECKED BY :ZL | SHEET 1 of 2 | ITEM NO. |
| APPROVED BY | SCALE 1: 1 | REV. 00 |
| | UNIT:mm | |